



CUSTOM SAND SALT DOME FEED SYSTEM



FEATURES:

24" X 105' TRUSS CONVEYOR WITH 20 HP MOTOR & # 6 REDUCER

STAINLESS STEEL SALT HOPPER, 2.5 CU YD CAPACITY, 1-1/2 HP MOTOR, VARIABLE FEEDER BELT SPEED ON 30" BELT FEEDER

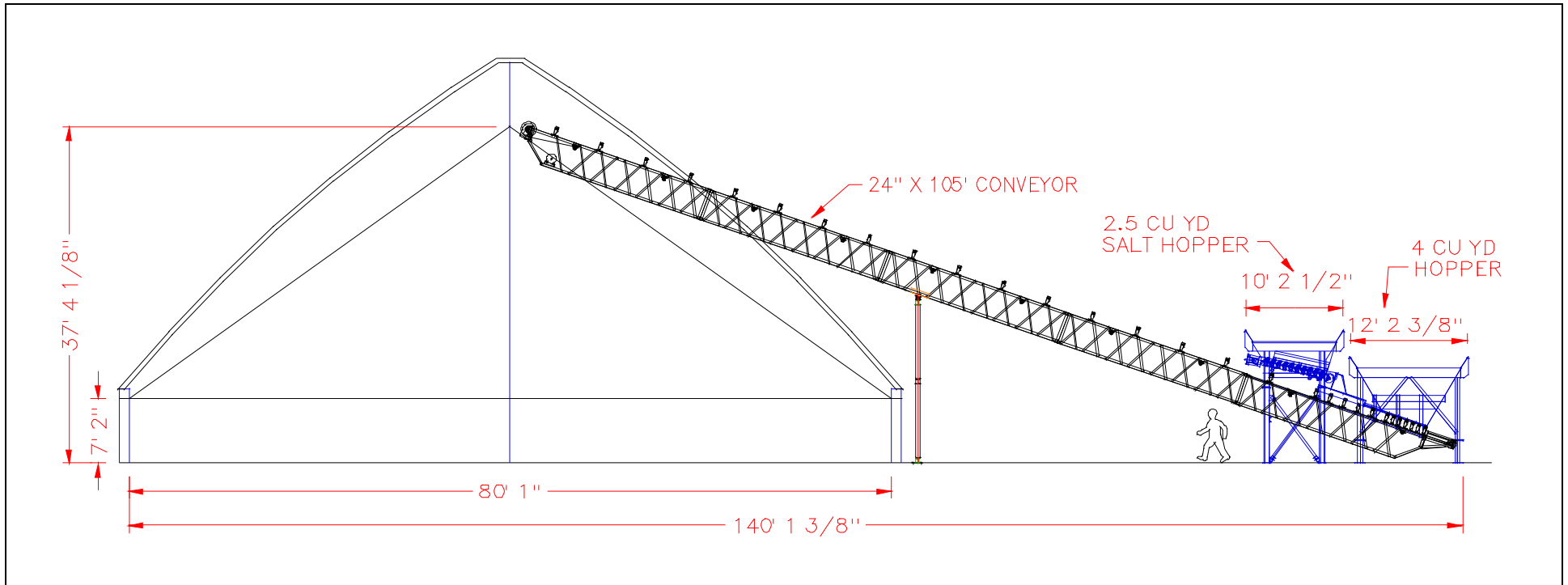
SAND HOPPER WITH 4 CU YD CAPACITY WILL DIRECT FEED TO 24 X 105 CONVEYOR

BENEFITS INCLUDE:

BETTER BLENDING OF SAND AND SALT

FASTER AND LESS EXPENSIVE DOME LOADING

SAFER LOADING OUTSIDE THE DOME AS OPPOSED TO PUSHING MATERIAL INTO THE DOME



DISTRIBUTED BY:

Rawson Manufacturing Inc.

99 Canal Street

Putnam, CT 06260

(860) 928-4458

Email: jrawson@rawsonscreens.com