



SCREENING AND AGGREGATE HANDLING EQUIPMENT

MODEL 73830



Features:

6 Stabilizing Legs (2 extend to 12' width)

Quick Setup

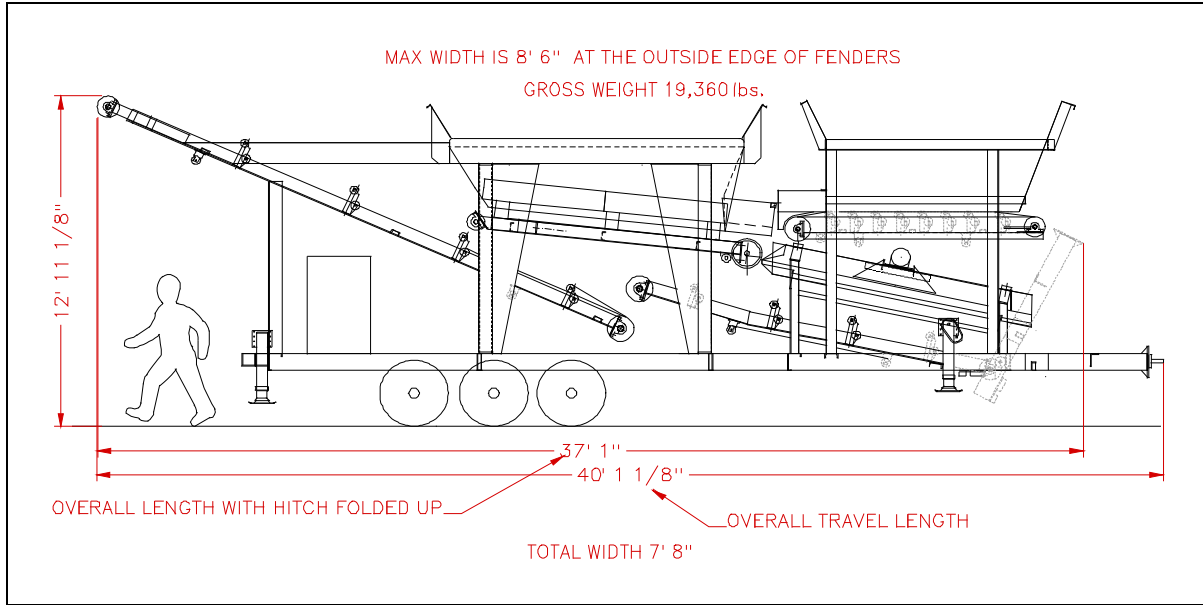
Electric Drive

2 Variable Speed Feeders

Extra Power for Lights or office trailer

Fold up Pintle Hitch

Belt Scale with Ticket Printer



Dimensions	Engine/Generator
Height.....12'11"	Engine.....John Deere 4045D
Length.....40'1"	Generator.....Marathon 45kw
Width.....7'8"	Voltage.....240 3 phase
Conveyor (Discharge Height).....12'2"	2) Hopper
Weight.....19360lbs..	Capacity.....5.5 Cu. Yds./2.5 Cu. Yds.
Tongue Weight.....4140lbs.	Feeder.....36" Belt/24"Belt
Hopper (Dump Height).....12'2"	Drive.....Separate Electronic Variable speed
Hopper (Extensions Width).....12'5"/9'8"	Conveyor
Hopper (Width).....11'3/8"	Type..... 2) 30"Belt Troughing
Frame	Drive.....7.5hp Electric Motor
Hitch Type.....Pintle	Screen
Axles.....3) 7000lbs. w/electric brakes	Size.....3' x 8' oil filled mechanism
Tires.....1200x16.5F12	Type.....Single Deck

Available Options:

Belt Scale, Remote Controlled Feeder and or Conveyor – Electric Power Asphalt Transfer Pump

Electric Powered Water Transfer Pump – Pendant for Pump Control – Harp Wire Screen Decks

Rawson Manufacturing Inc.

99 Canal Street
Putnam, CT 06260
(860) 928-4458

Email: rawsonscreens@rawsonscreens.com
www.rawsonscreens.com